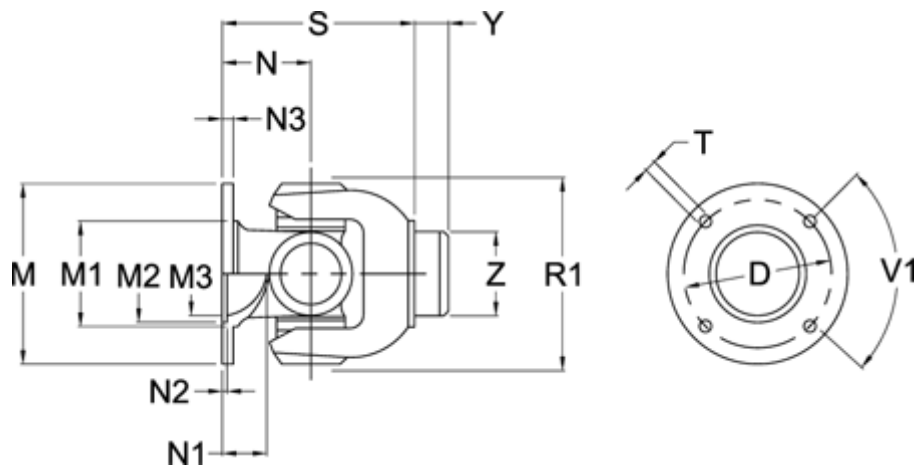


Article number: 07113055001

Description: Universal joint single 0.113.055.001
S=140 X= Bore with keyway

Measures



D	= 101,5 \pm 0,1	N2	= 2,5 \pm 0,5	Z = 62.25
Flange diameter M	= 120	N3	= 9	
M1	= 80.5	Number of Flangeholes	= 8	
M2	= 75	R1	= 125	
M3	= 69	S min	= 140	
Max. Bending Angle degrees	= 35	T	= 10 B12	
N	= 72	V1 degrees	= 45	
N1	= 29	Y	= 20	